

LARKIN FREESTANDING TUB FILLER

Cat. No.
7958



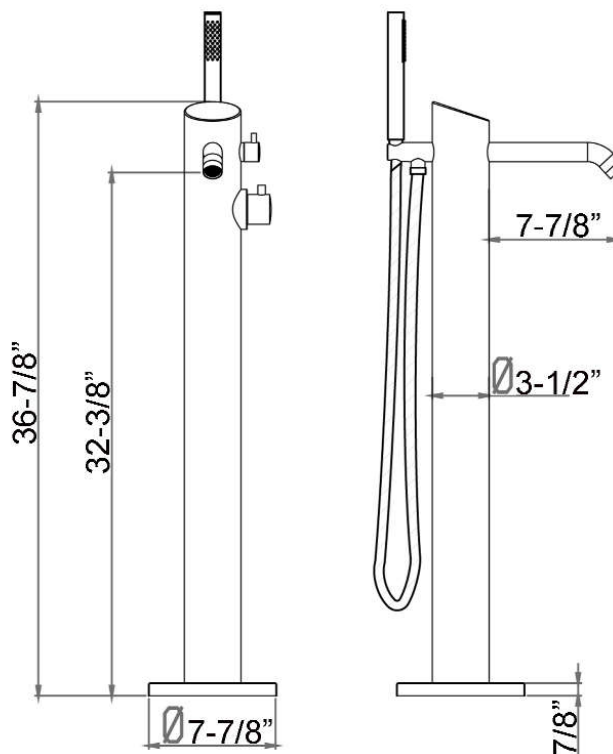
W: 7-7/8"
H: 42-5/8"

Features:

- ▶ Thermostatic freestanding tub filler
- ▶ 304 Grade Stainless Steel
- ▶ Rough-In Valve Included
- ▶ Brass hand shower
- ▶ Spout reach 7-7/8"
- ▶ Maximum flow rate is 3.75 GPM
- ▶ 1/2" NPT connection
- ▶ Flow rate handshower 2.5 GPM. Optional regulator in parts bag reduces flow rate to 2.0GPM for CA requirements.
- ▶ Includes 55" shower hose
- ▶ Mounts to wood or tile floor
- ▶ Available in 2 finishes

Finishes:

- SP** Polished Stainless Steel
- SB** Brushed Stainless Steel



Use on concrete floors requires special installation. We recommend using a plumbing professional.

Dimensions are nominal and may vary. Dimensions and specifications subject to change without notice.